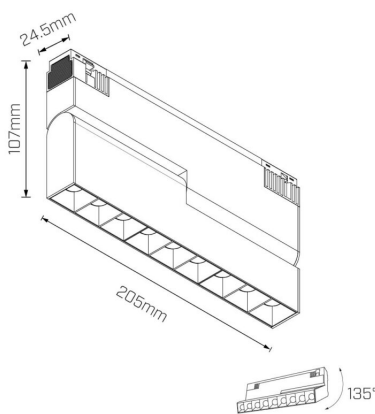


Lucca Mini Adjustable

DC LOW VOLTAGE



Product Code

MV52

Technical Description

Take aim

- Powerful & compact design- 9 LED tiltable grid model
- Multiple beam angle options available of 15°, 24°, 36°
- Great adjustability with maximum tilt angle up to 135°
- Perfectly suited for retail, hospitality, residential & ornamental lighting.
- Low unified glare rating (UGR)*

Electrical Specifications

System Power	11W
Input Voltage	48V DC
Control Type	Non-Dimmable, DALI Dimmable
System Efficacy	82lm/W

Physical Characteristics

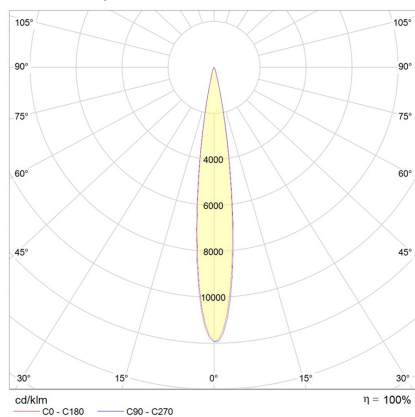
Installation Method	DC-Track Recessed
Trim Finish	White, Black
IP Rating / IK Rating	IP20
Accessories	Without Accessory

Photometric Info

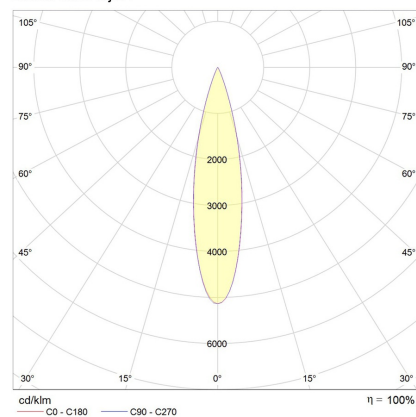
Luminaire Lumens	900lm
Colour Rendering Index (CRI)	CRI90
Colour Temperature (CCT)	3000K, 4000K
Beam Angle	15°, 24°, 36°

Polar Distribution Diagrams

Lucca Mini Adjustable 15°



Lucca Mini Adj 24°



Lucca Mini Adj 36°

